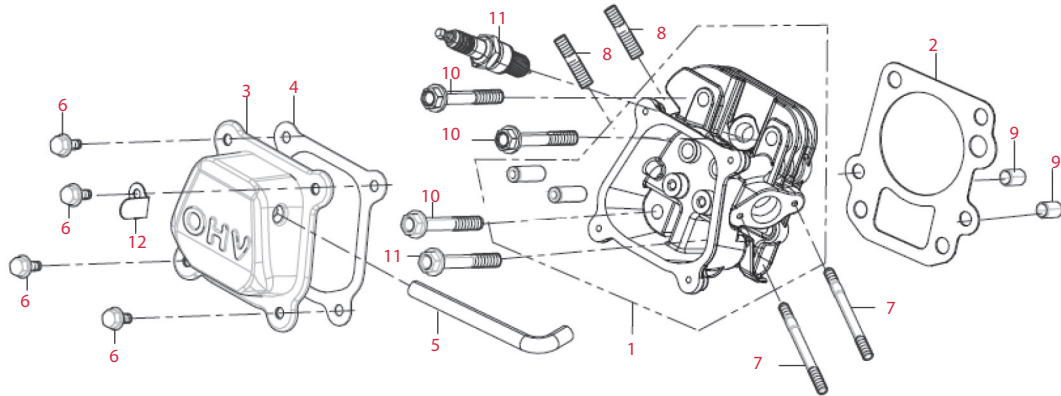


\*NS - Not Stocked by JAK Max however available from RATCO. Special order only, 3 month lead time.

# RT25ZB20-1.2Q Portable Transfer Pump

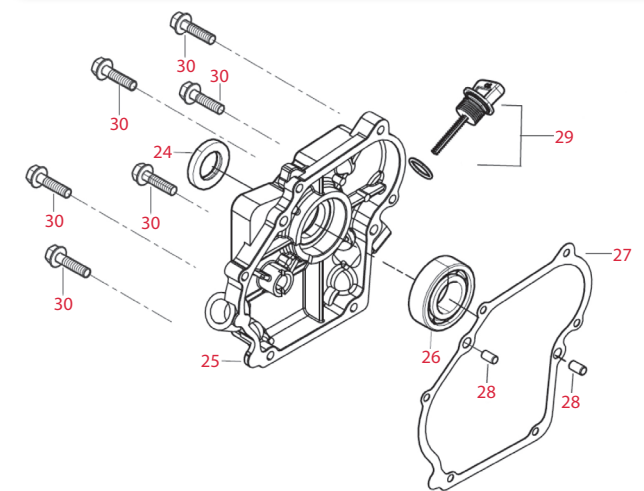
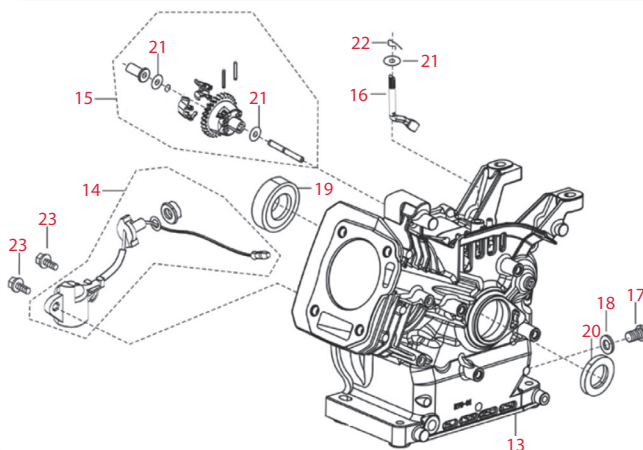
Item	JAK Max Part No.	RATO Part No.	Description
<b>Cylinder Head Subassembly &amp; Spark Plug (below)</b>			
1	NS	12140-Z210110-0B00	Cylinder head subassembly
2	JMRT1337	12131-Z210110-0000	Cylinder head gasket
3	NS	12410-Z300120-0000	Cylinder head cover subassembly
4	JMRT1002	12004-Z010110-0000	Cylinder head cover gasket
5	NS	17004-Z510110-0000	Breather tube
6	NS	90001-0612-01	Bolt

Item	JAK Max Part No.	RATO Part No.	Description
<b>Cylinder Head Subassembly &amp; Spark Plug - continued (below)</b>			
7	NS	90204-Z010210-0000	Stud
8	NS	90203-Z010110-0000	Stud
9	NS	90502-0814-00	Pin
10	NS	12003-Z510110-0000	Cylinder head bolt
11	BPR6ES/ RN9YC	30010-Z450210-0000	Spark plug
12	NS	30006-Z510110-0000	High tension line block



Item	JAK Max Part No.	RATO Part No.	Description
<b>Crankcase &amp; Governor Gear Assembly (below left)</b>			
13	NS	11310-Z210210-0B00	Crankcase subassembly
14	NS	37060-Z510110-0000	
15	NS	16400-Z210110-0000	Governor gear assembly
16	NS	16061-Z510110-0000	Governor arm
17	NS	11007-Z010110-0000	Drain plug bolt
18	NS	90408-Z010110-0000	Flat washer
19	NS	90548-0203-00	Bearing
20	JMRT1338	90682-Z510110-0000	Oil seal
21	NS	90575-0612-06	Circlip
22	NS	90501-Z010110-0000	Pin
23	NS	90001-0614-01	Bolt

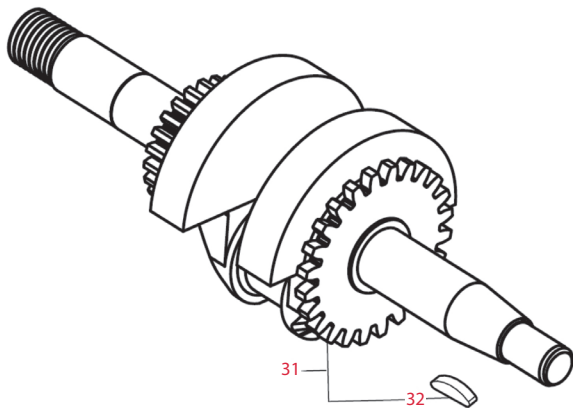
Item	JAK Max Part No.	RATO Part No.	Description
<b>Crankcase Cover Subassembly (below right)</b>			
24	JMRT1338	90682-Z510110-0000	Oil seal
25	NS	11411-Z510310-0B00	Crankcase cover
26	NS	90548-0303-00	Bearing
27	JMRT1339	11001-Z510110-0000	Crankcase gasket
28	NS	90502-0812-00	Pin
29	NS	15010-Z510110-Q500	Oil dipstick subassembly
30	NS	90001-0625-01	Bolt



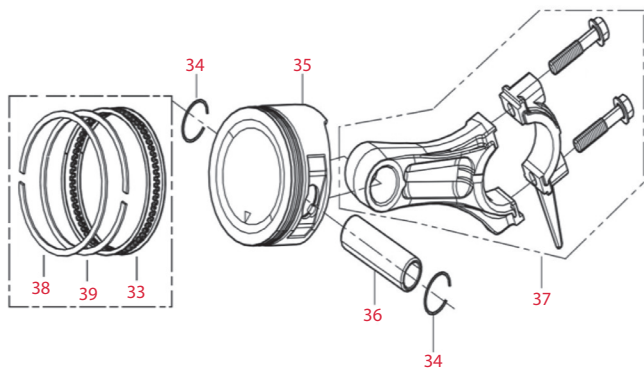
## RT25ZB20-1.2Q Portable Transfer Pump

\*NS - Not Stocked by JAK Max however available from RATC. Special order only, 3 month lead time.

Item	JAK Max Part No.	RATO Part No.	Description
<b>Crankshaft (below left)</b>			
31	NS	13300-Z210210-0000	Crankshaft assembly
32	NS	90524-Z510110-0000	Woodruff Key

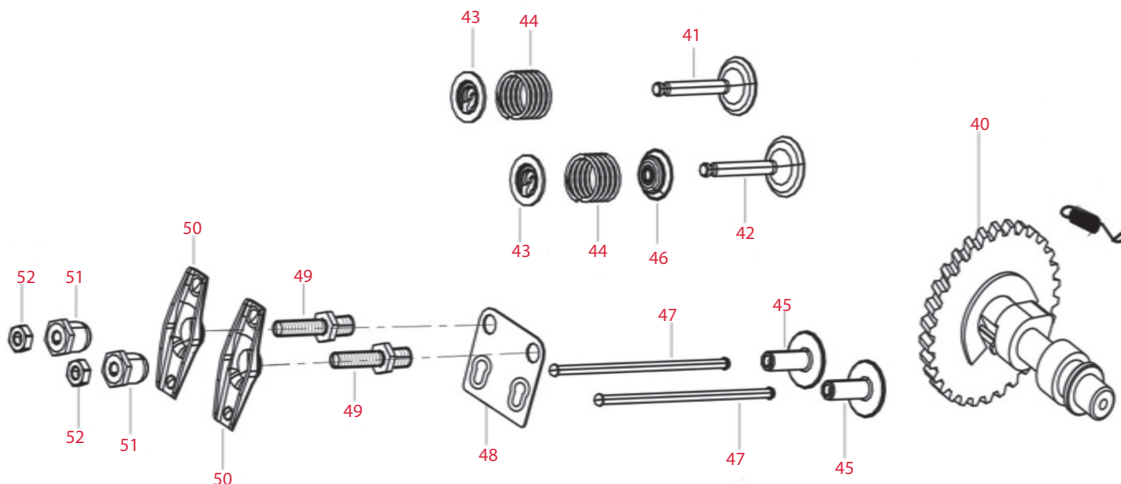


Item	JAK Max Part No.	RATO Part No.	Description
<b>Oil Ring &amp; Crankshaft Connecting Rod (below right)</b>			
33	NS	13210-Z450110-0000	Oil ring set
34	NS	13122-Z450110-0000	Piston pin clip
35	NS	13111-Z450110-0000	Piston
36	NS	13121-Z450110-0000	Piston pin
37	NS	13010-Z210110-0000	Connecting rod
38	NS	13201-Z450110-0000	First ring
39	NS	13202-Z450110-0000	Second ring



Item	JAK Max Part No.	RATO Part No.	Description
<b>Valve Train &amp; Camshaft Subassembly (below)</b>			
40	NS	14200-Z510120-0000	Camshaft assembly
41	NS	12111-Z510110-0000	Exhaust valve
42	NS	12121-Z510120-0000	Intake valve
43	NS	12112-Z010110-0000	Valve spring seat
44	NS	12103-Z510110-0000	Valve spring
45	NS	14081-Z510110-0000	Valve tappet
46	NS	12101-Z010110-0000	Seal guide

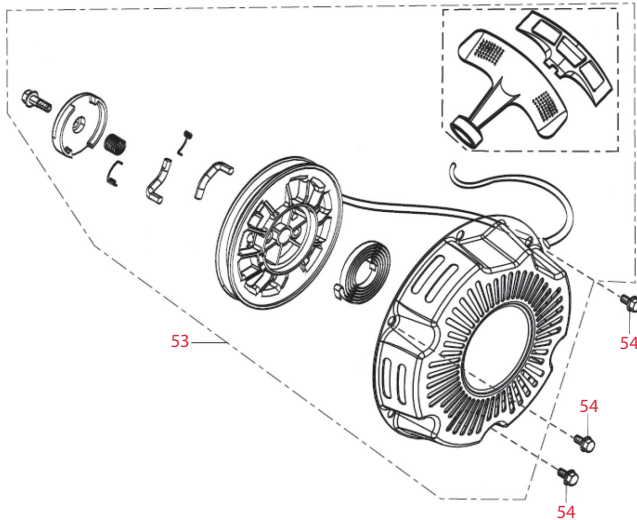
Item	JAK Max Part No.	RATO Part No.	Description
<b>Valve Train &amp; Camshaft Subassembly - continued (below)</b>			
47	NS	14070-Z510110-0000	Valve lifter subassembly
48	NS	14090-Z510110-0000	Lifter stopper plate subassembly
49	NS	14313-Z510110-0000	Valve adjusting bolt
50	NS	14311-Z510110-0000	Valve rocker
51	NS	14314-Z300110-0000	Valve adjusting nut
52	NS	14312-Z300110-0000	Valve lock nut



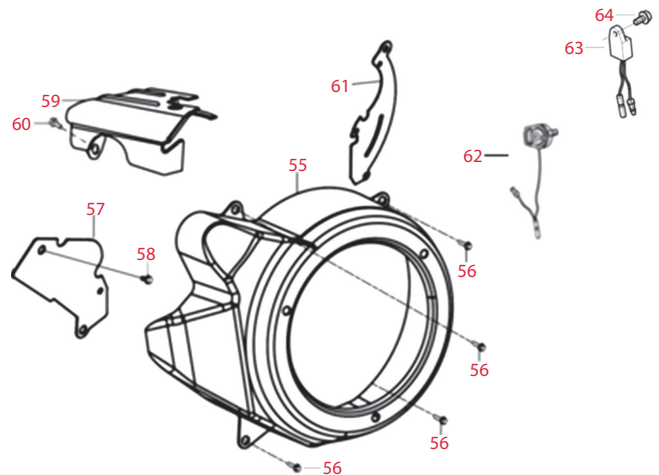
\*NS - Not Stocked by JAK Max however available from RATCO. Special order only, 3 month lead time.

# RT25ZB20-1.2Q Portable Transfer Pump

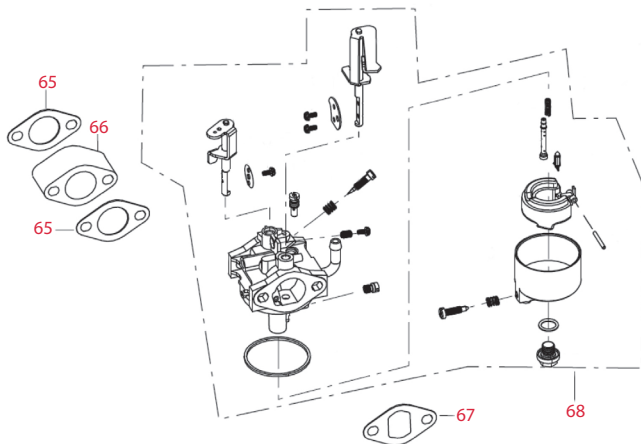
Item	JAK Max Part No.	RATO Part No.	Description
<b>Recoil Starter (below left)</b>			
53	JMRT1340	28200-Z510210-H600	Recoil starter assembly
54	NS	90001-0608-01	Bolt



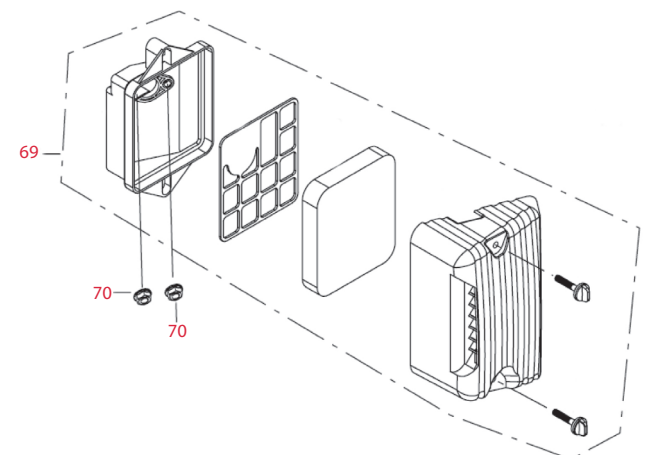
Item	JAK Max Part No.	RATO Part No.	Description
<b>Shroud &amp; Lower Shield (below right)</b>			
55	NS	28110-Z510110-H600	Shroud
56	NS	90001-0612-01	Bolt
57	NS	19306-Z510110-0000	Crankcase air deflector
58	NS	90001-0616-01	Bolt
59	NS	19304-Z510110-0000	Cylinder body shroud
60	NS	90001-0610-01	Bolt
61	NS	30028-Z510110-0000	Shroud shield
62	NS	35540-Z060120-Q200	Stop engine switch subassembly
63	NS	37050-Z010210-0000	
64	NS	90001-0610-01	Bolt



Item	JAK Max Part No.	RATO Part No.	Description
<b>Carburettor Assembly (below left)</b>			
65	JMRT1342	16001-Z510110-0000	Carburettor gasket
66	NS	16003-Z510110-0000	Carburettor insulator plate
67	JMRT1343	17001-Z510110-0000	Air cleaner gasket
68	JMRT1341	16100-Z210110-0000	Carburettor assembly



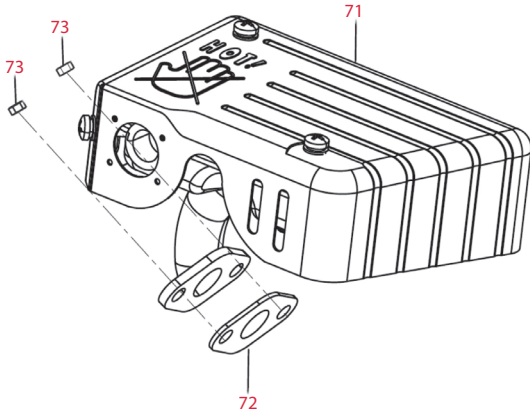
Item	JAK Max Part No.	RATO Part No.	Description
<b>Air Cleaner (below right)</b>			
69	JMRT1344	17100-Z510110-0000	Air cleaner
70	NS	90305-0600-31	Nut



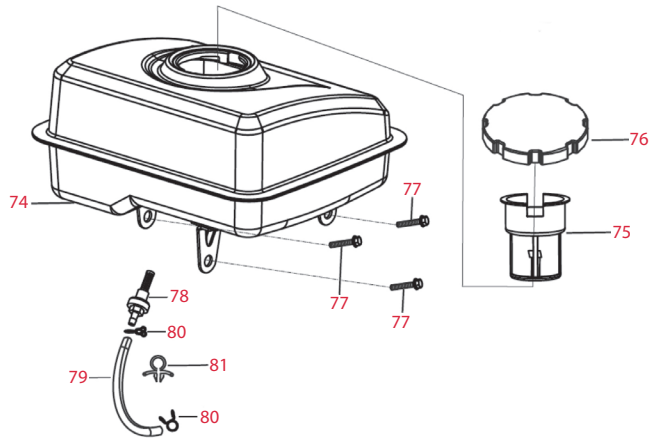
## RT25ZB20-1.2Q Portable Transfer Pump

\*NS - Not Stocked by JAK Max however available from RATO. Special order only, 3 month lead time.

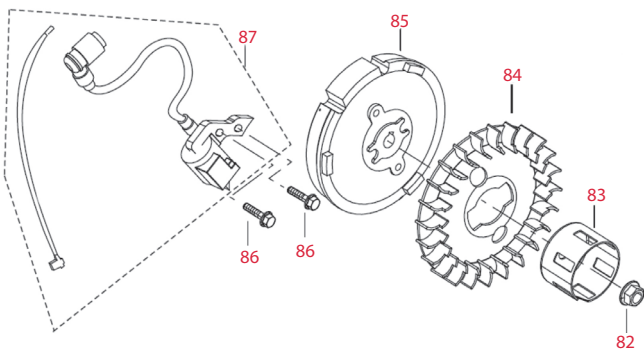
Item	JAK Max Part No.	RATO Part No.	Description
<b>Muffler Assembly (below left)</b>			
71	JMRT1345	18100-Z510110-0000	Muffler assembly
72	JMRT1346	18001-Z510110-0000	Exhaust outlet gasket
73	NS	90303-0800-31	Nut



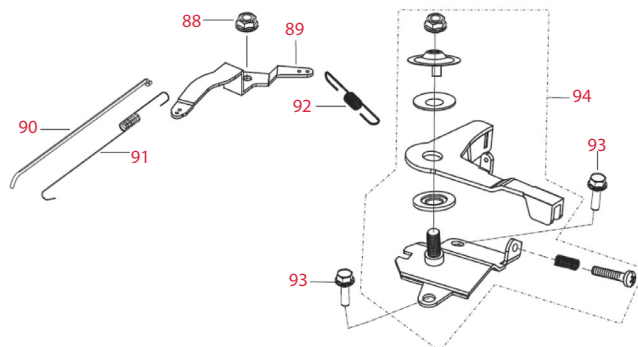
Item	JAK Max Part No.	RATO Part No.	Description
<b>Fuel Tank Assembly (below right)</b>			
74	JMRT1347	16620-Z510120-H600	Fuel tank
75	JMRT1349	16652-Z010110-0000	Fuel strainer
76	JMRT1348	16730-Z300120-0000	Fuel tank cover
77	NS	90001-0612-01	Bolt
78	NS	16680-Z010110-0000	Fuel tank oil outlet subassembly
79	NS	90686-Z510110-0000	Fuel tube
80	NS	90685-Z030220-0000	Clip
81	NS	90684-Z250110-0000	Clip



Item	JAK Max Part No.	RATO Part No.	Description
<b>Flywheel, Impeller, Starter Pulley &amp; Ignition Coil (below)</b>			
82	NS	13501-Z510110-0000	Flywheel nut
83	NS	28002-Z510110-0000	Starter pulley
84	NS	19352-Z510110-0000	Impeller
85	NS	13510-Z510110-0000	Flywheel subassembly
86	NS	90001-0620-01	Bolt
87	JMRT1350	30400-Z510110-0000	Ignition coil



Item	JAK Max Part No.	RATO Part No.	Description
<b>Throttle Control Assembly (below right)</b>			
88	NS	90305-0600-31	Nut
89	NS	16070-Z510110-0000	Governor support subassembly
90	NS	16062-Z510110-0000	Governor rod
91	NS	16012-Z510110-0000	Throttle valve returning spring
92	NS	16063-Z210110-0000	Governor spring
93	NS	90001-0608-01	Bolt
94	NS	16520-Z510120-0000	Throttle control assembly

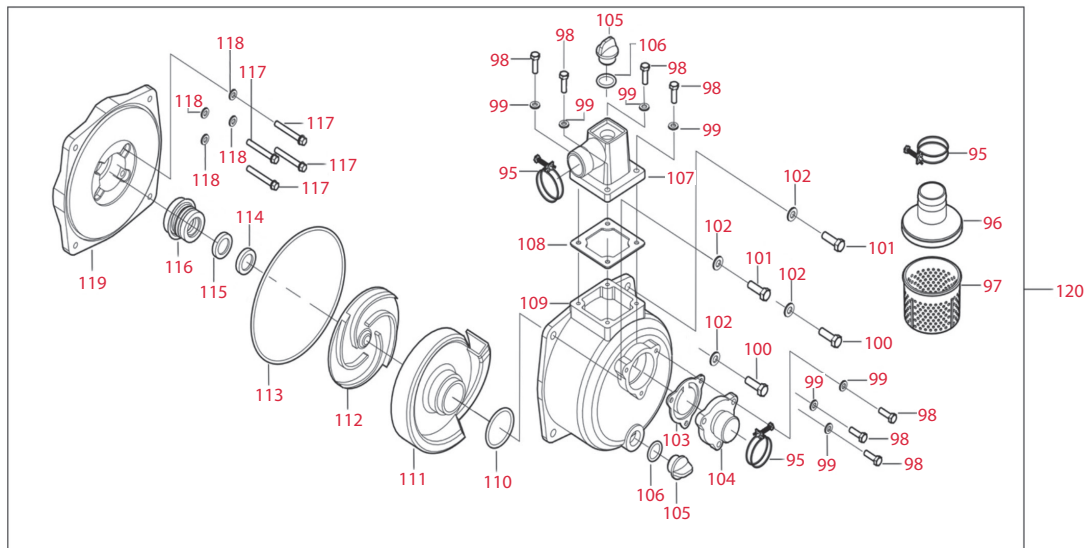


\*NS - Not Stocked by JAK Max  
however available from RATO. Special  
order only, 3 month lead time.

# RT25ZB20-1.2Q Portable Transfer Pump

Item	JAK Max Part No.	RATO Part No.	Description
<b>Pump Body (below)</b>			
95	NS	70400-V040210-0000	Hose hoop assembly
96	NS	70113-V040210-0000	Filter cover
97	NS	70114-V040210-0000	Filter
98	NS	90005-0618-01	Bolt
99	NS	90408-0600-E1	Washer
100	NS	90005-0820-01	Bolt
101	NS	90005-0820-01	Bolt
102	NS	90408-0800-E1	Washer
103	JMRT1351	70115-V040210-0000	Inlet water gasket
104	JMRT1352	70116-V040410-0000	Water inlet
105	NS	70107-V040210-0000	Thread plug
106	NS	70122-V040210-0000	Screw plug washer
107	JMRT1353	70108-V040410-0000	Water outlet

Item	JAK Max Part No.	RATO Part No.	Description
<b>Pump Body - continued (below)</b>			
108	JMRT1354	70109-V040210-0000	Outlet gasket
109	JMRT1355	70105-V040210-0000	Pump body
110	JMRT1361	70104-V040210-0000	Whorl case sealing ring
111	JMRT1362	70103-V040210-0000	Whorl case
112	JMRT1356	70102-V040210-0000	Water pump impeller
113	JMRT1360	70119-V040210-0000	Water pump joint cushion
114	JMRT1357	70125-V040210-0000	Impeller seal
115	JMRT1358	70309-V040210-0000	Porcelain seal
116	JMRT1359	70300-V040210-0000	Mechanism seal assembly
117	NS	90001-0645-01	Bolt
118	NS	90409-V040110-0000	Washer
119	JMRT1363	70118-V040210-0000	Water pump joint
120	JMRT1364	70100-V040410-0000	Water pump assembly



Item	JAK Max Part No.	RATO Part No.	Description
<b>Engine Frame Assembly (right)</b>			
121	NS	54111-V040220-0000	Handle
122	NS	90303-0800-31	Nut
123	NS	90403-0800-00	Washer
124	NS	90408-0800-E1	Washer
125	NS	51002-Z450110-0000	Engine fixed bottom plate
126	NS	90001-0816-01	Bolt
127	NS	90001-0610-01	Bolt
128	NS	51146-V030110-0000	Water pump seat
129	NS	90001-0825-01	Bolt
130	NS	51143-V040110-H600	Bottom plate
131	NS	51014HY450110-0000	Engine frame shock absorption seat

